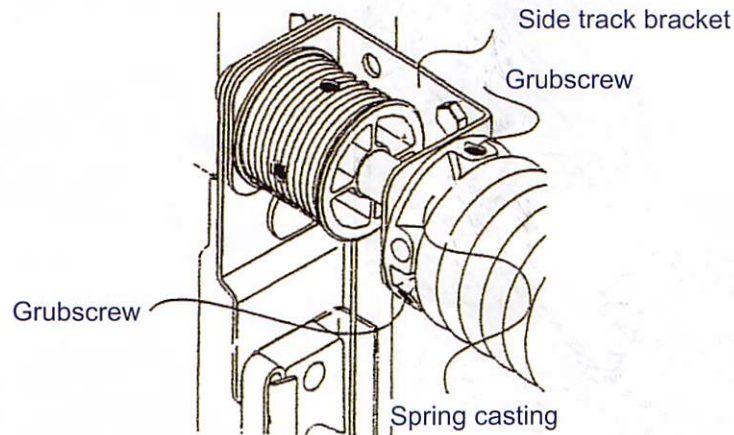


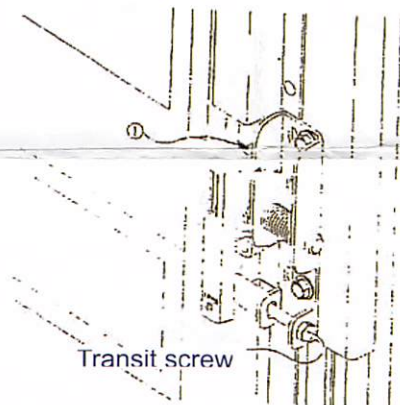
# How to fit a G3 Canopy Cable

GAR0017

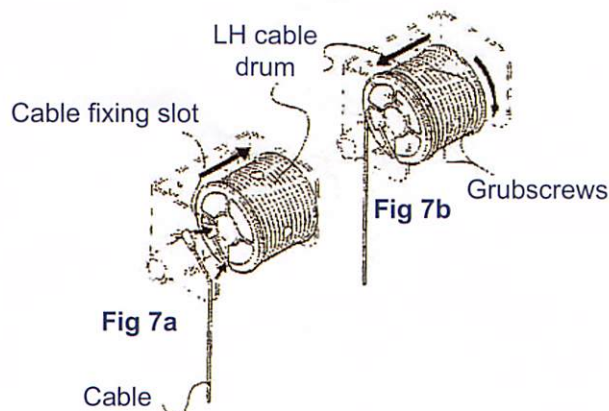
- 1) Tighten the two grub screws in the left-hand side spring casting.



- 2) Thread the end of the cable into the slot of the roller bracket assembly (see item 1).



- 3) Undo the two grub screws in the cable drum, slide the cable drum towards the centre of the door. The cable can now be inserted into the fixing slot (Fig 7a). Rotate the drum so that the cable winds onto the rear of the drum (Fig 7b). Ensure the cable runs down the inside of the track. When the cable is taut, slide the drum to the outside and tighten both grub screws (Fig 7b). Repeat for opposite if required.



- 4) Undo the two grub screws that were tightened in step 1.